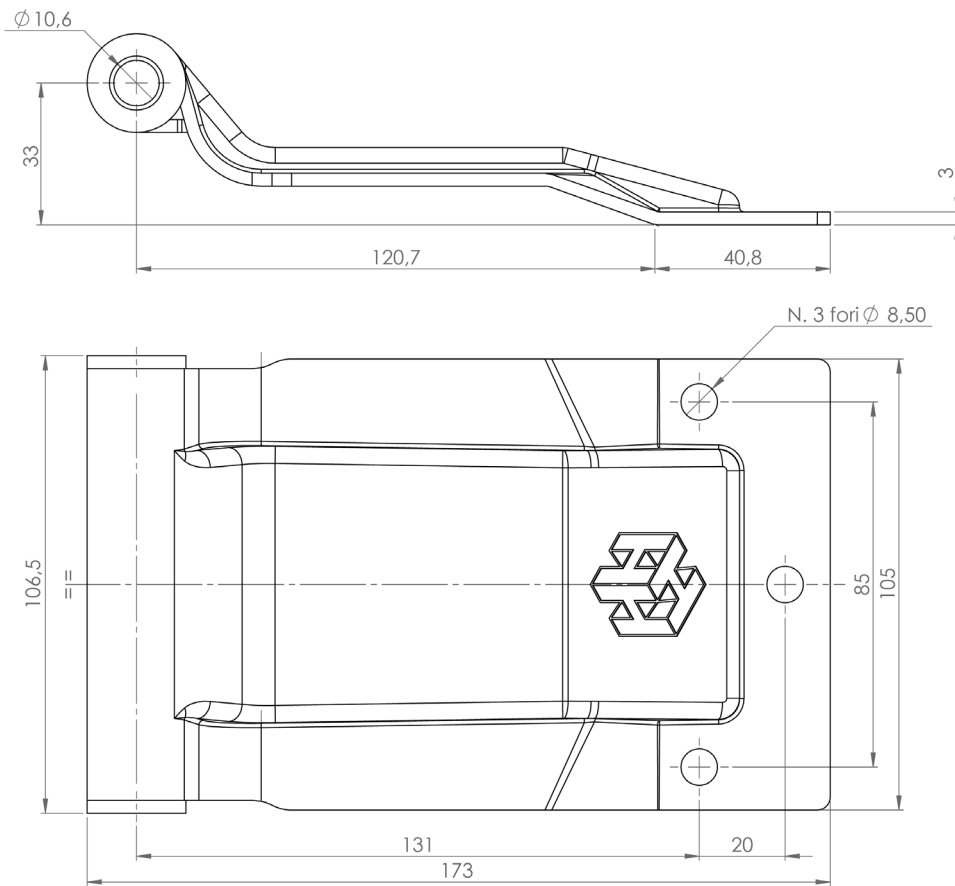


the **NEW** REAR DOOR HINGE **MH 100**





The new external hinge MH 100 was born from the market's need for a product with a new design and geometric features, completely different from traditional hinges. Consequently, Pastore & Lombardi has developed a new hinge, preserving the mechanical properties of their hinge type MEDIUM, currently on sales, and achieving a weight reduction of about 35%

The bracket of this hinge was designed without weldings and with the purpose of satisfying the different needs of assembling to the frame by screws or welding, merging the current versions.

